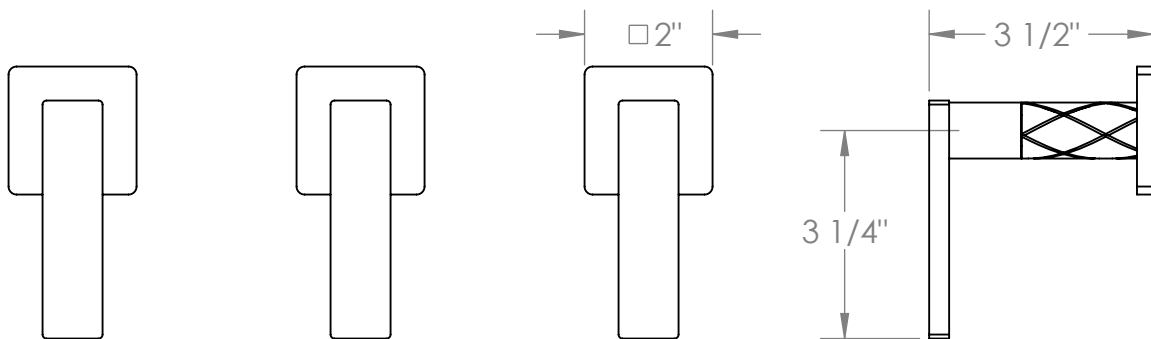


71-WTR3-

Wall Mounted Trim

Includes Alignment Kit

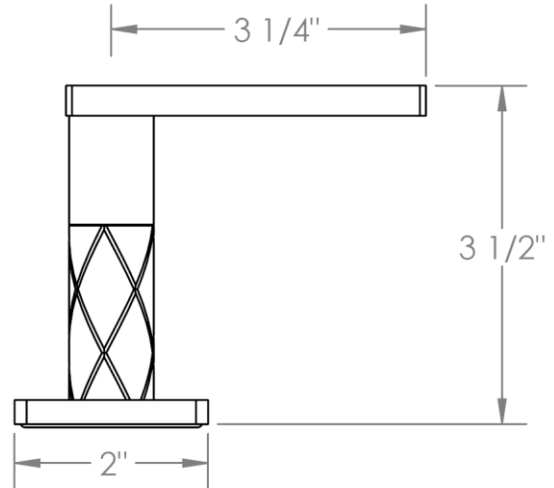
For use with SS-503 concealed rough



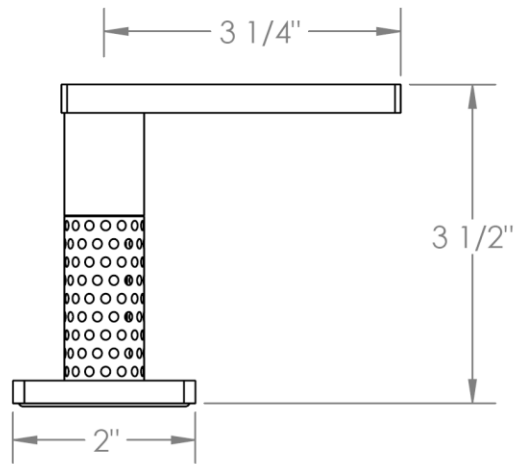
Meets the applicable requirements of ASME A112.18.1-2005/CSA B125.1-05, entitled "Plumbing Supply Fittings"

Handle Trim Options

LLD4



LLP5



LLO6

